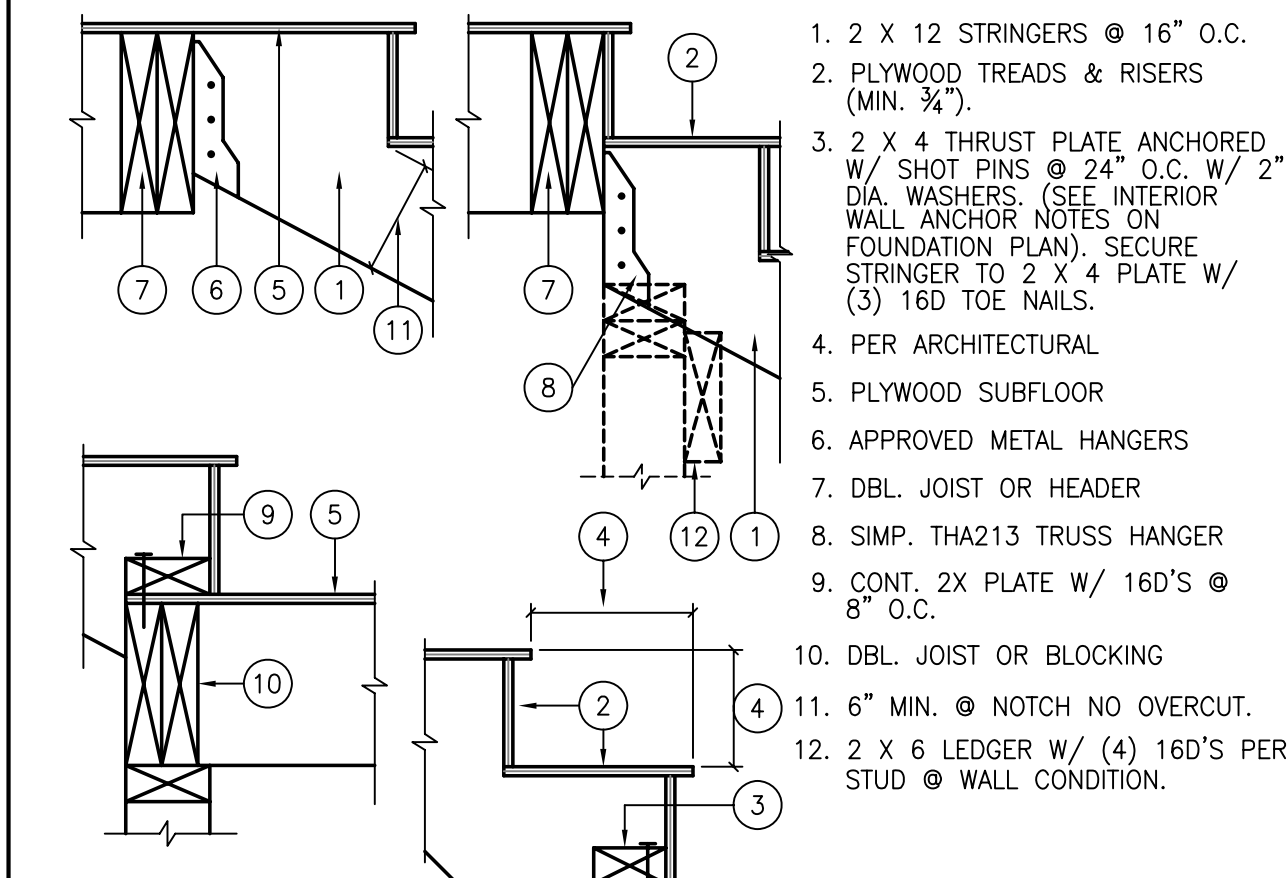
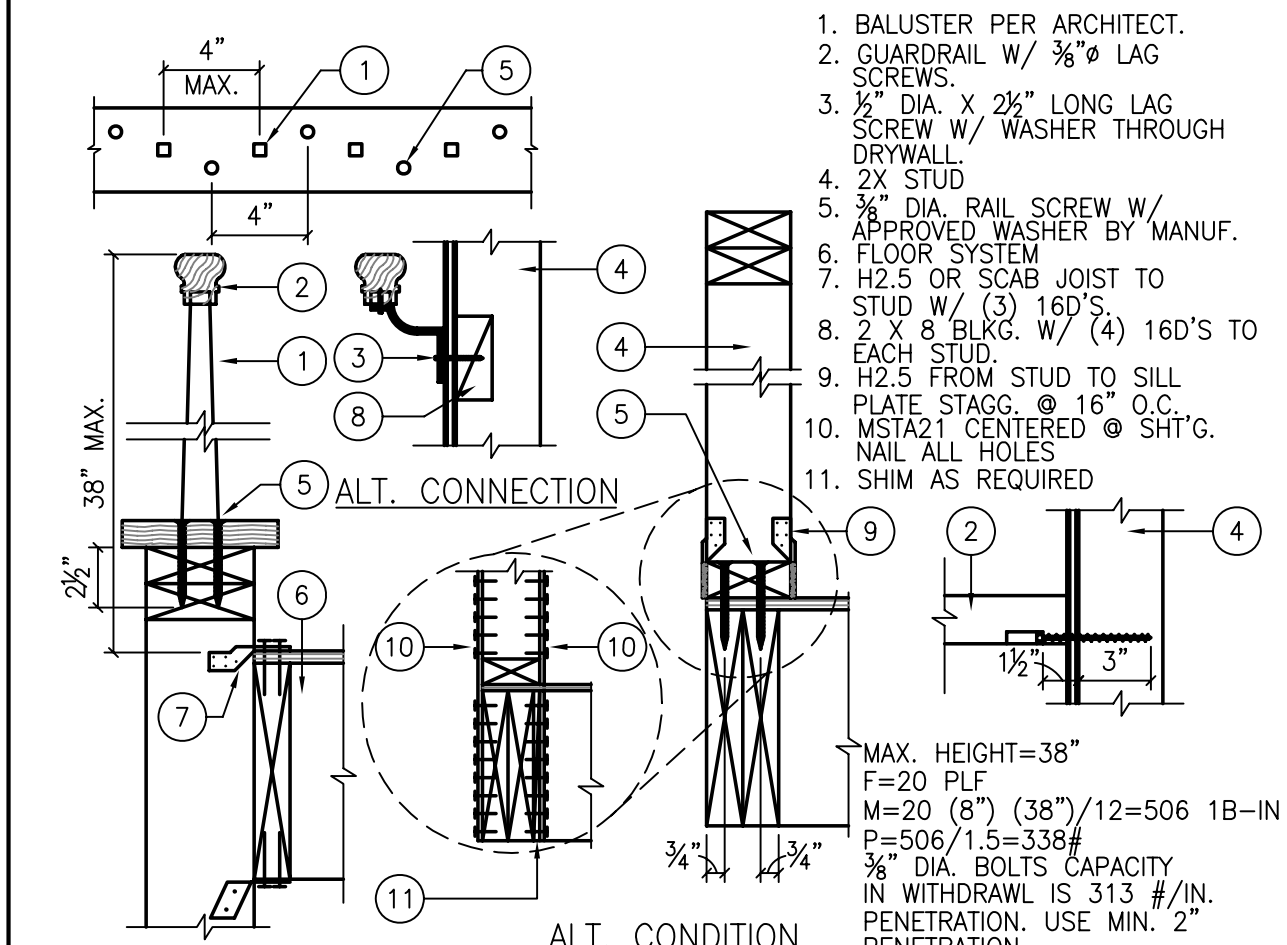


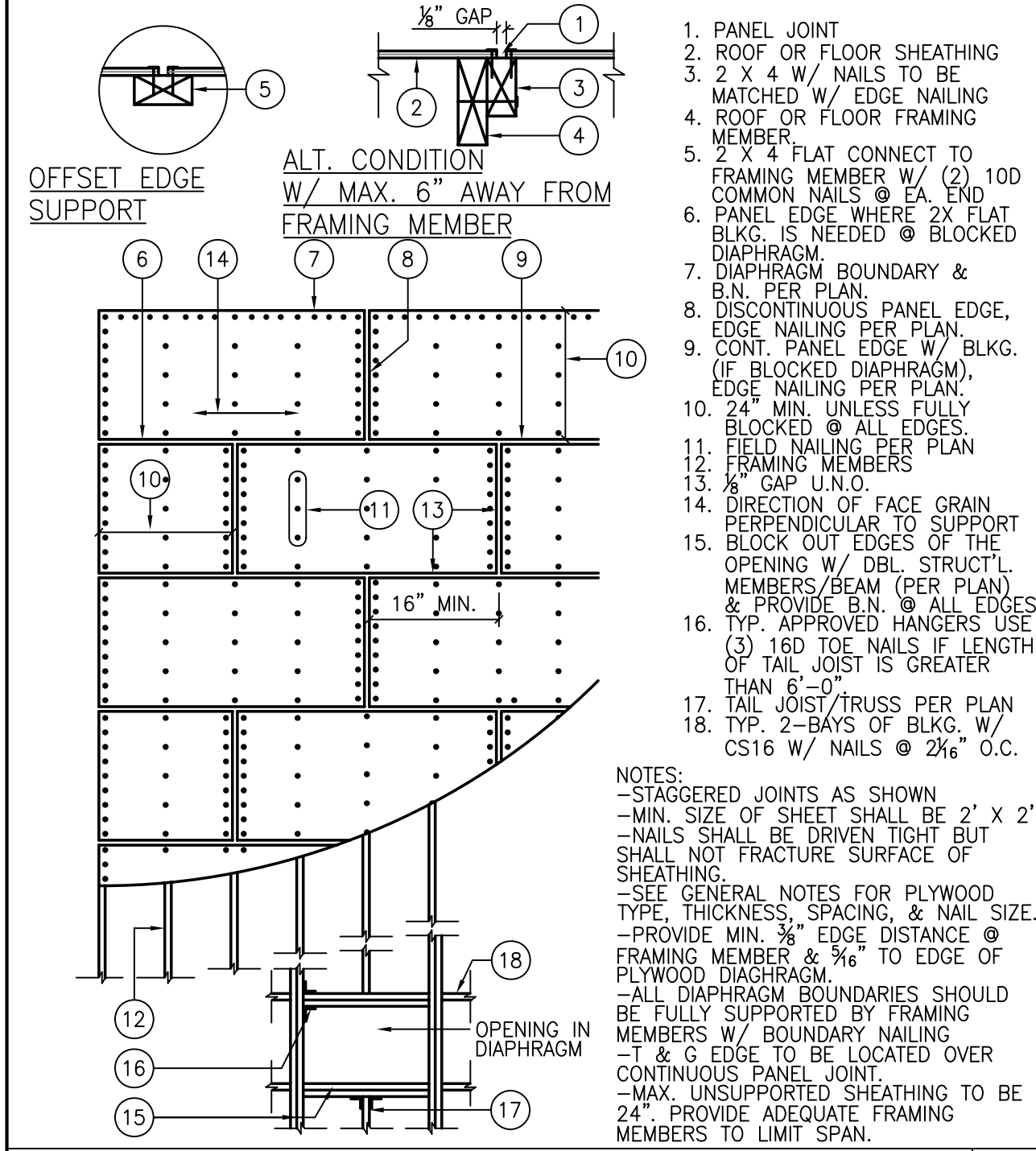
**SHEAR TRANSFER** 13



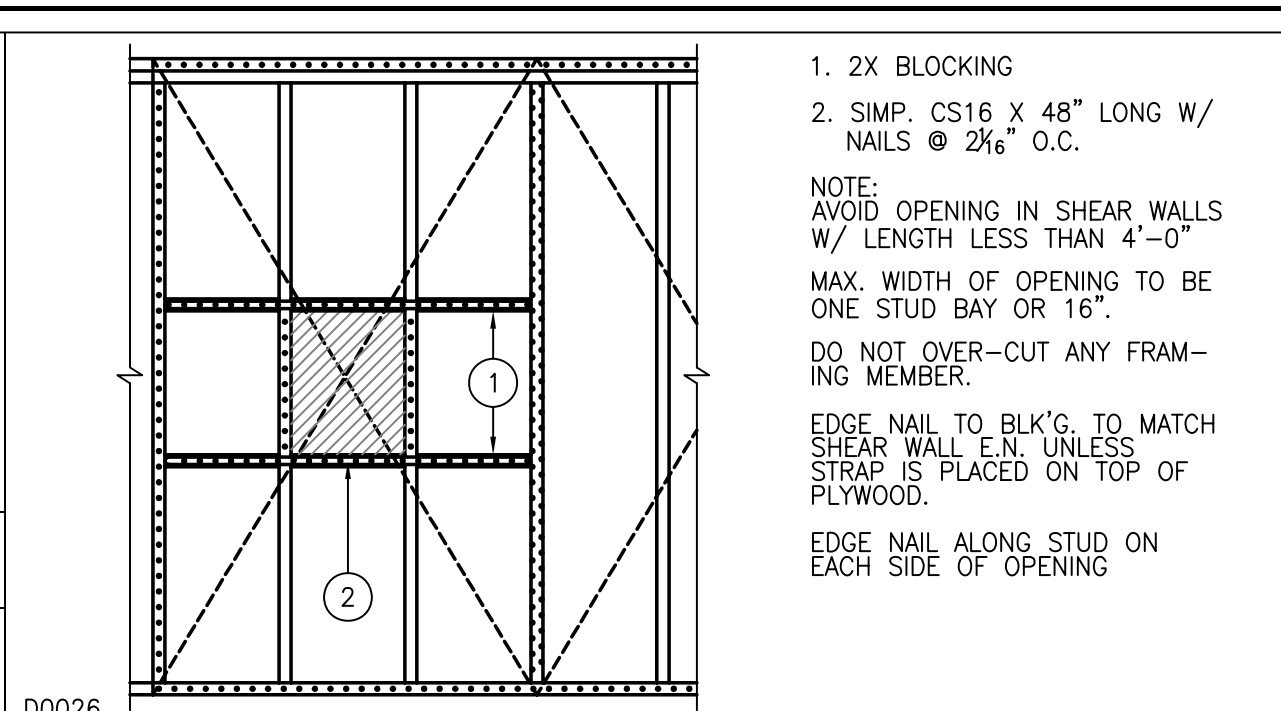
**STAIR DETAILS** 14



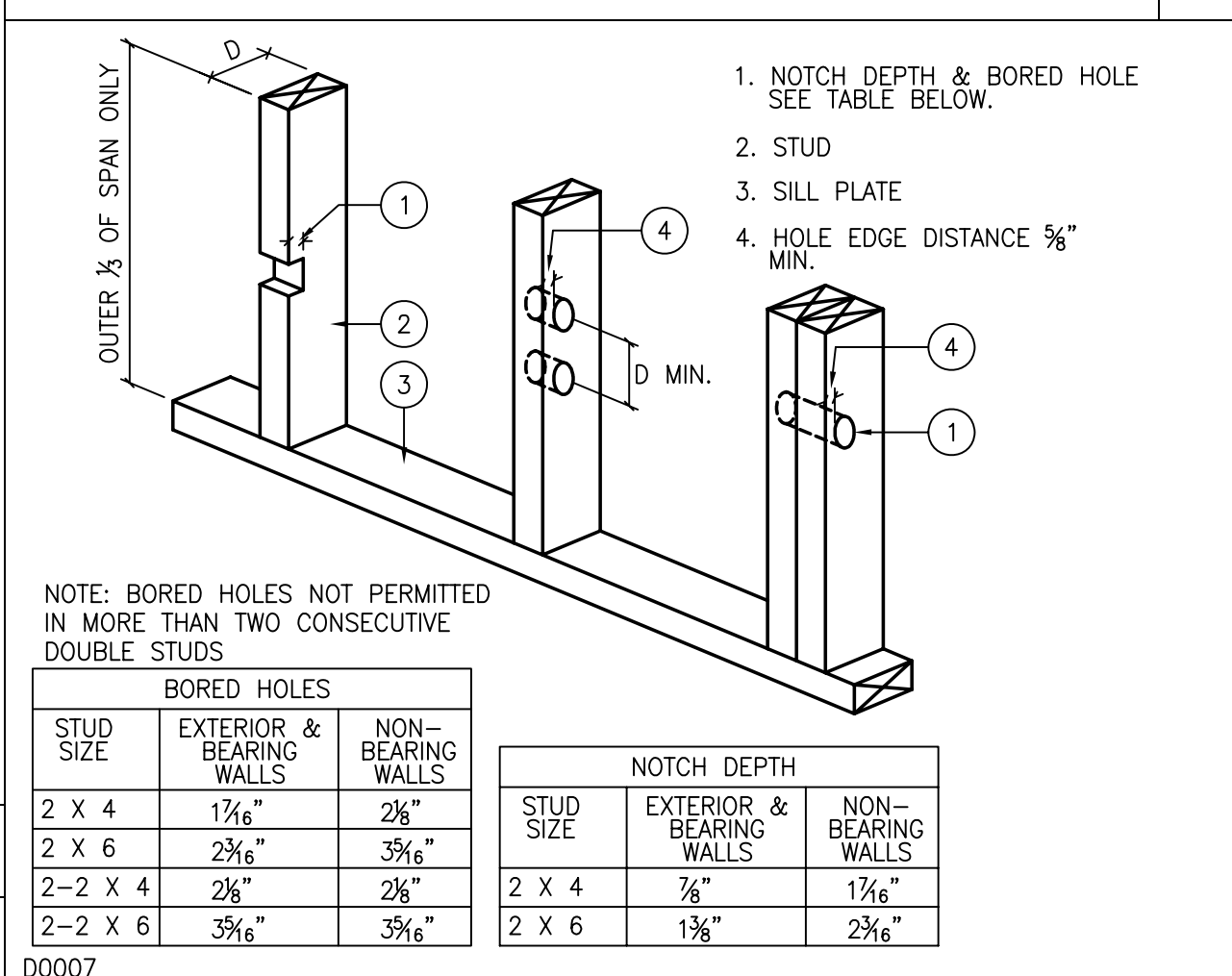
**HANDRAIL/GUARD RAIL** 15



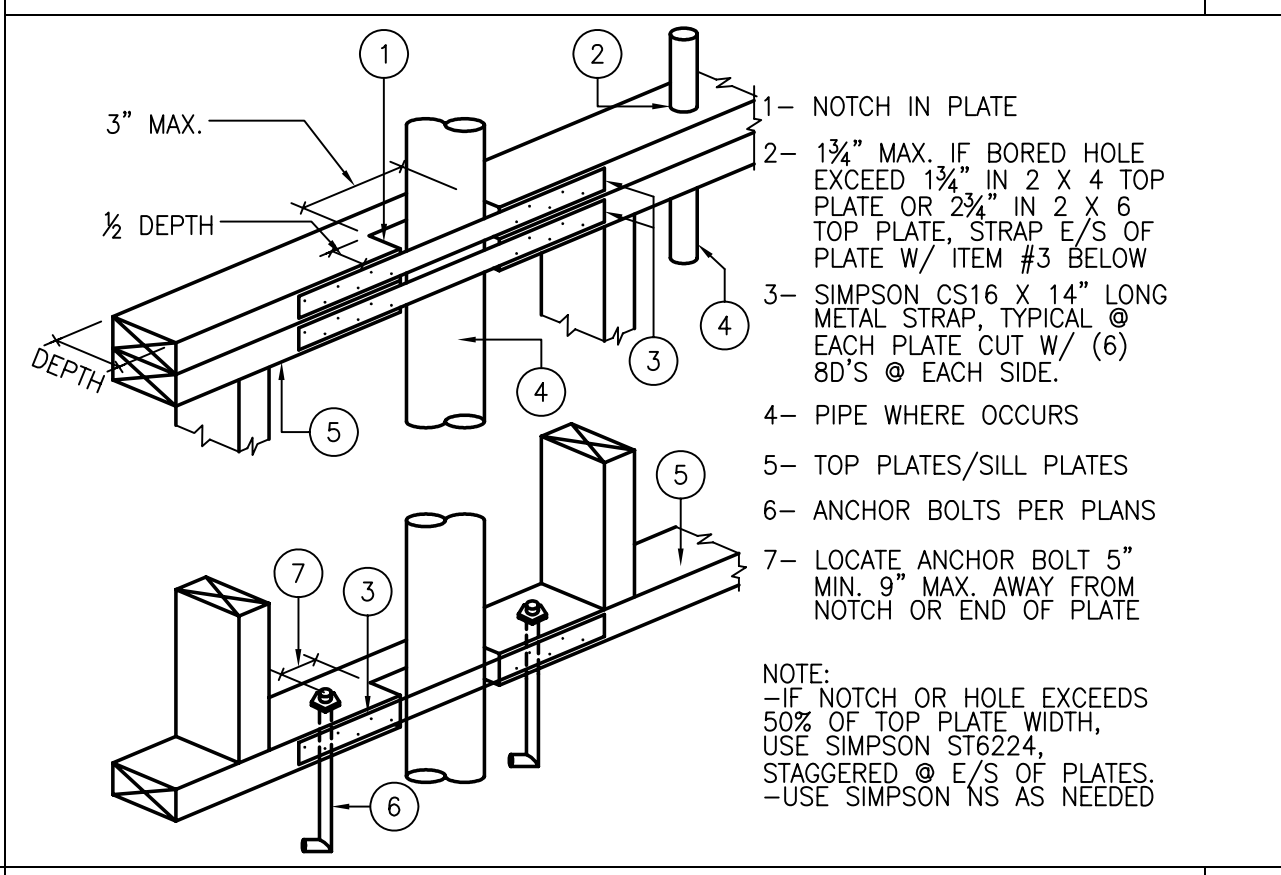
**SHEATHING LAYOUT** 16



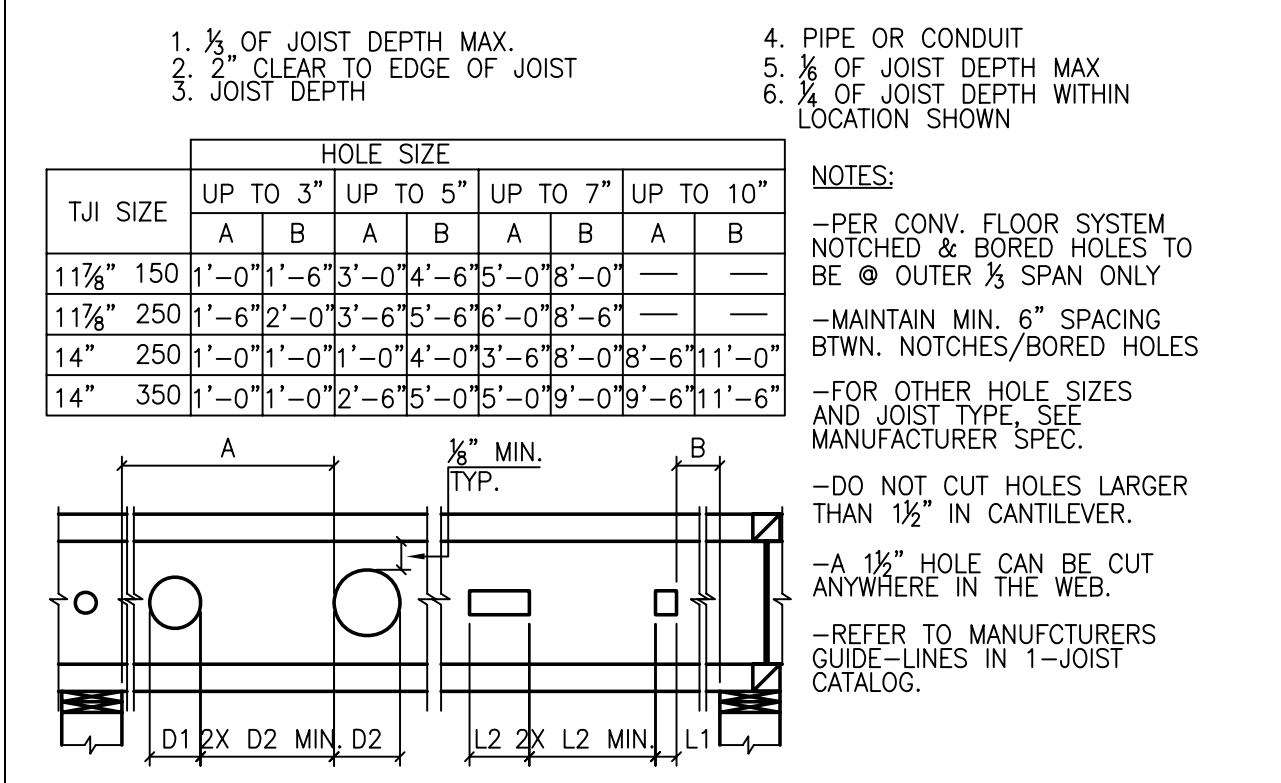
**FIELD FIX FOR OPENING IN S.W.** 9



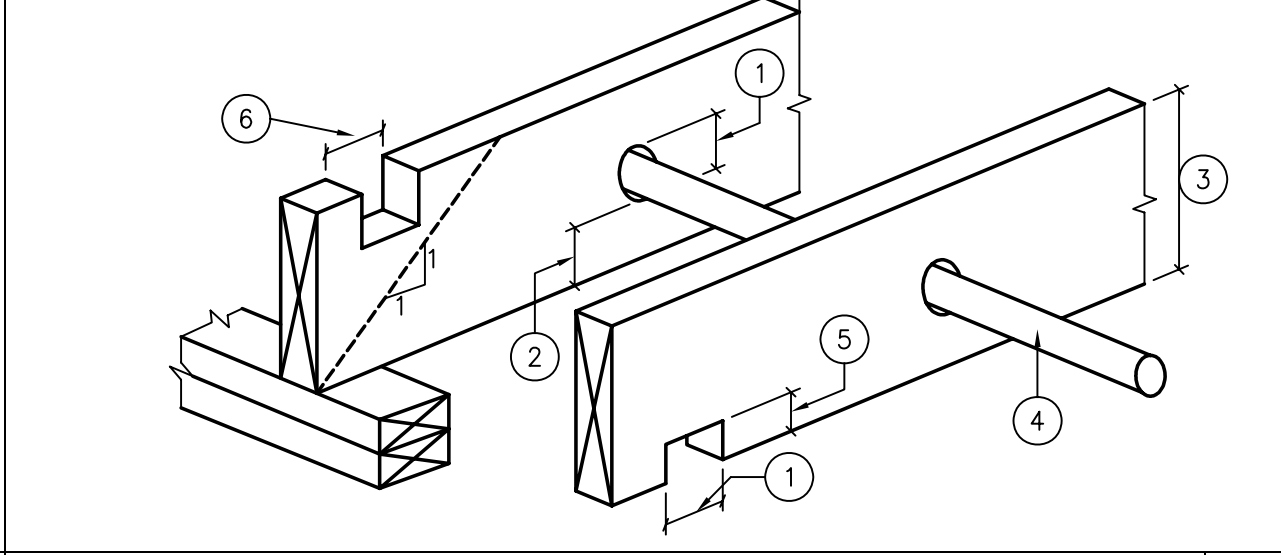
**STUD NOTCHING/BORING LIMITS** 10



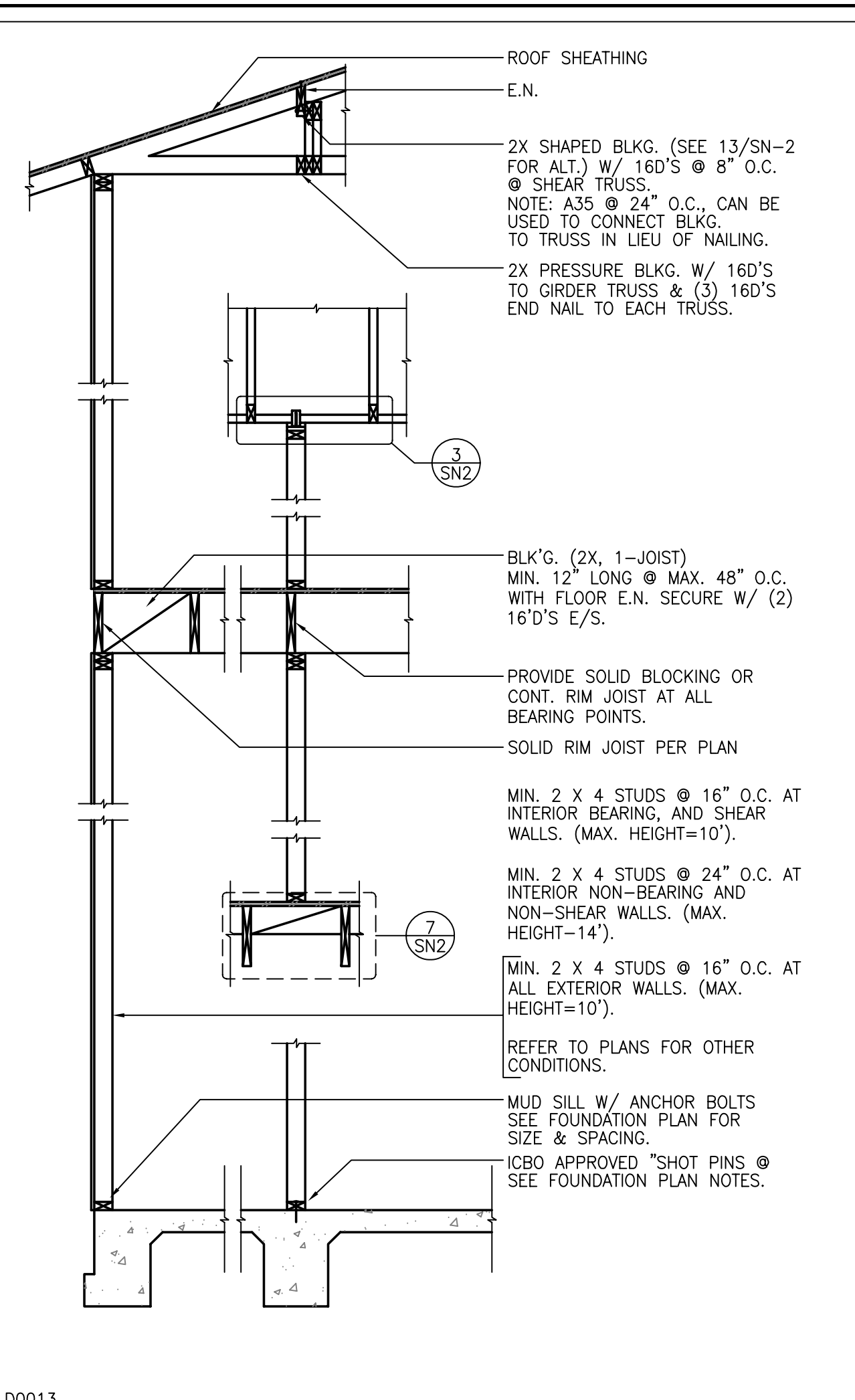
**PIPING THRU PLATE FRAM'G** 11



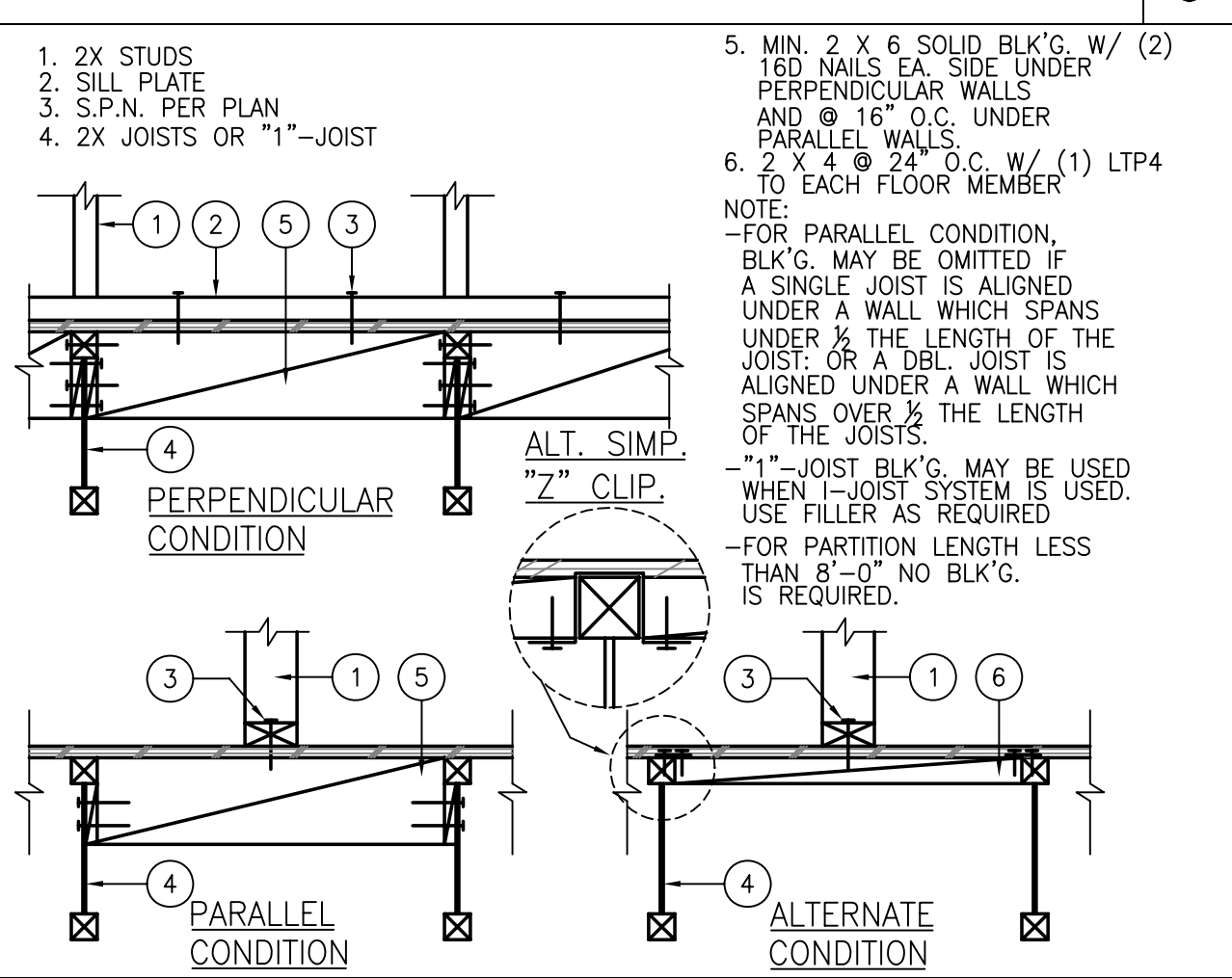
**NOTCH & HOLES IN 1-JOIST** 12



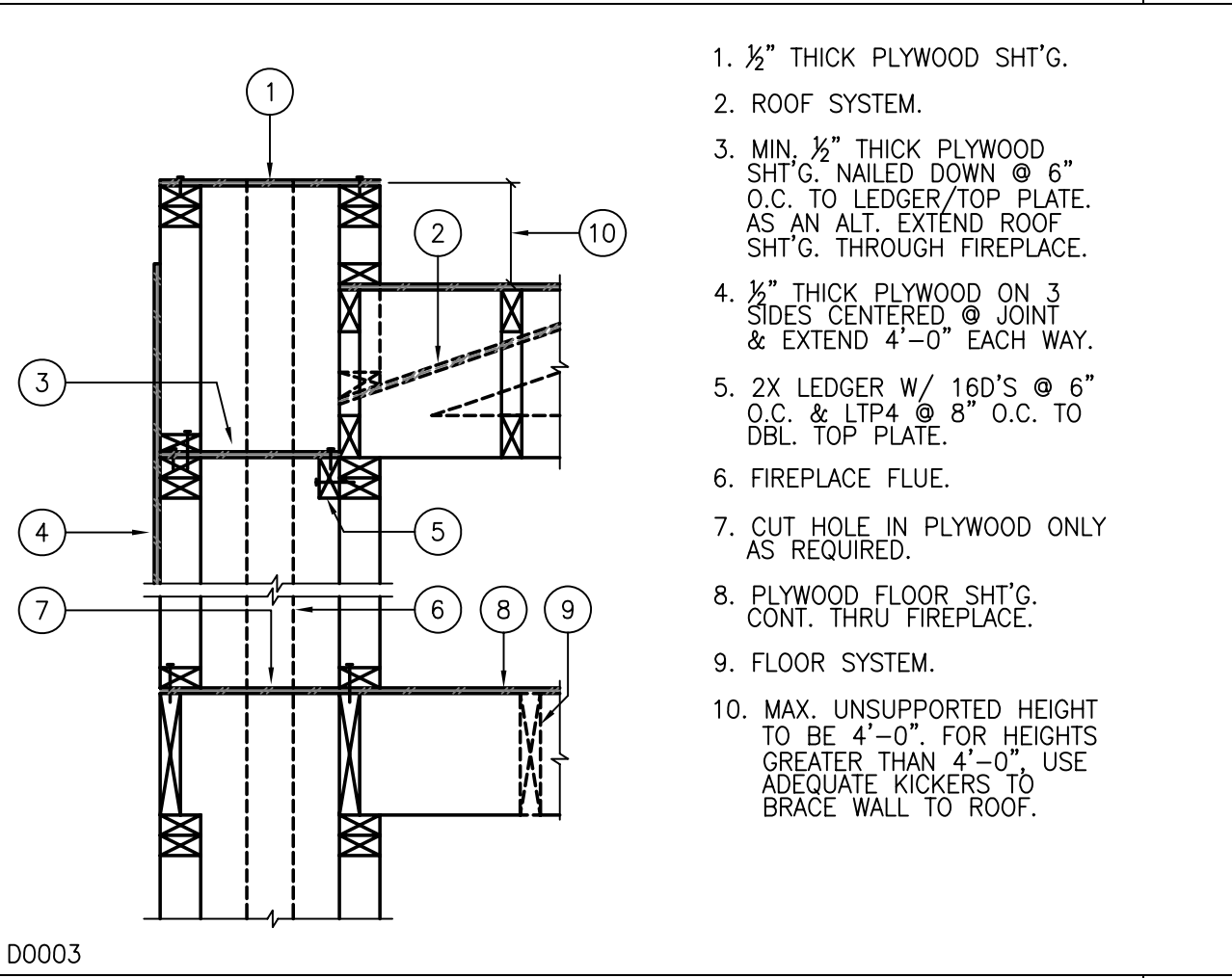
**FIREFLACE CONN. TO FRAMING** 12



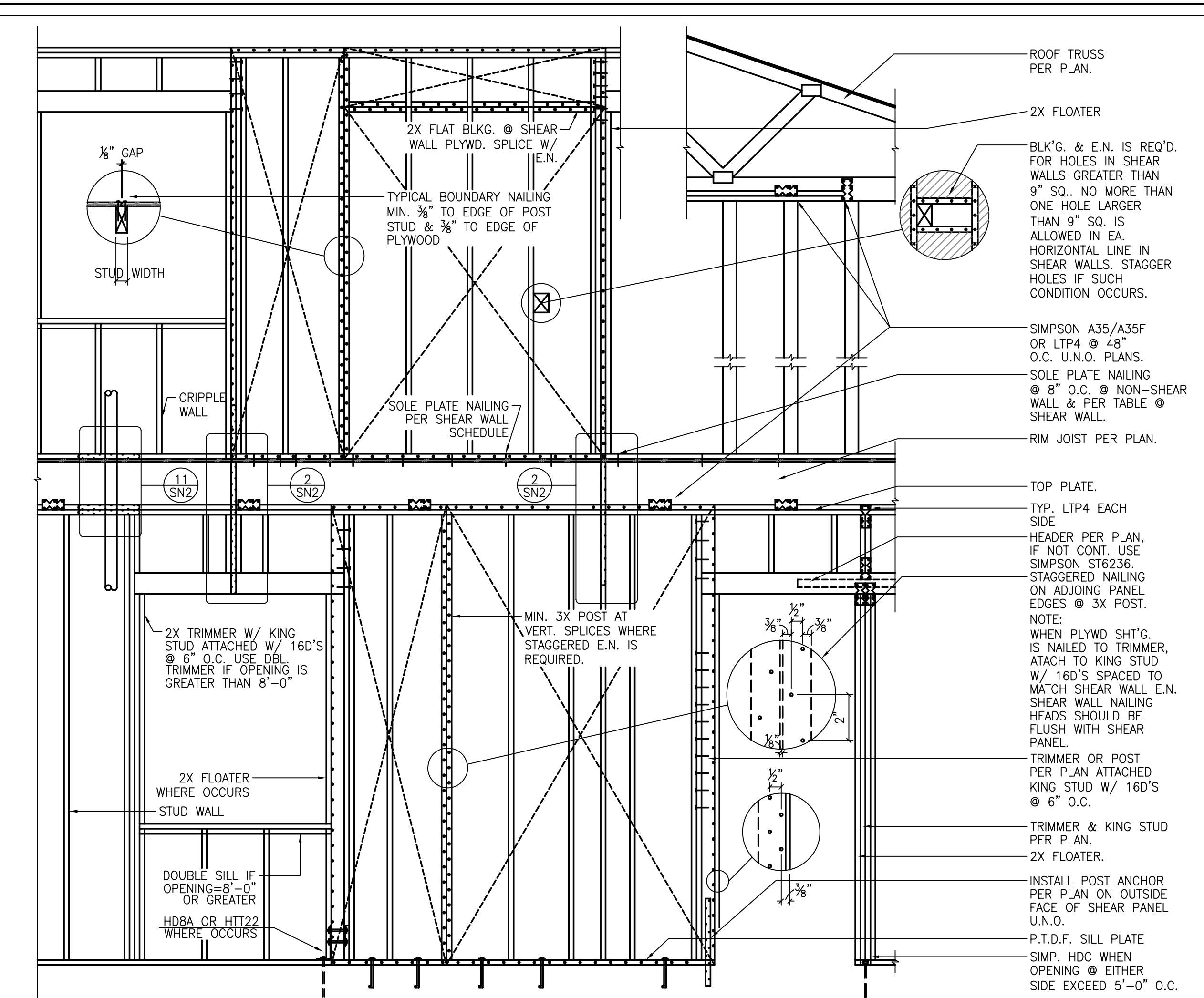
**TYP. FRAMING CROSS SECTION** 6



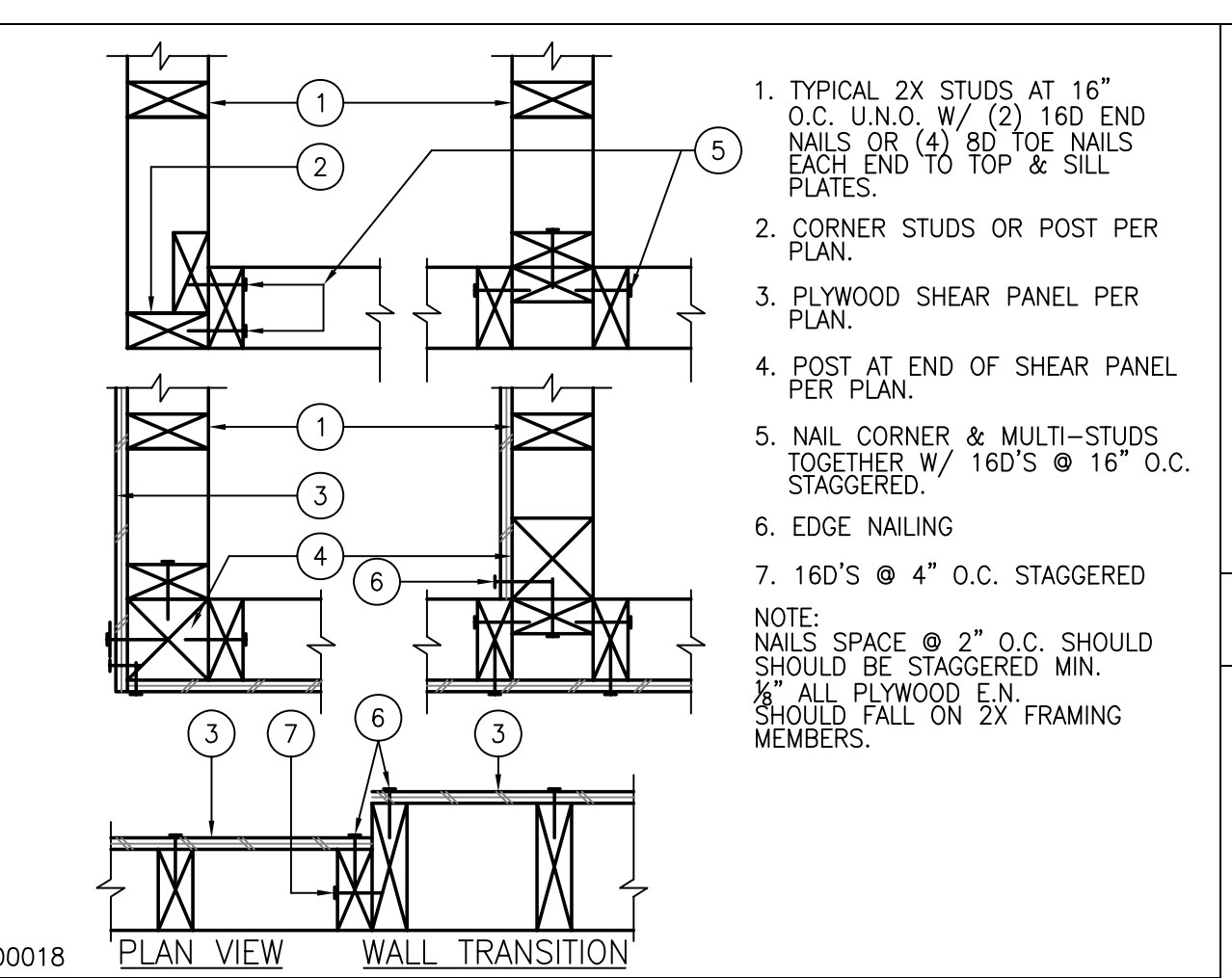
**NON-BEARING WALL SUPPORT** 7



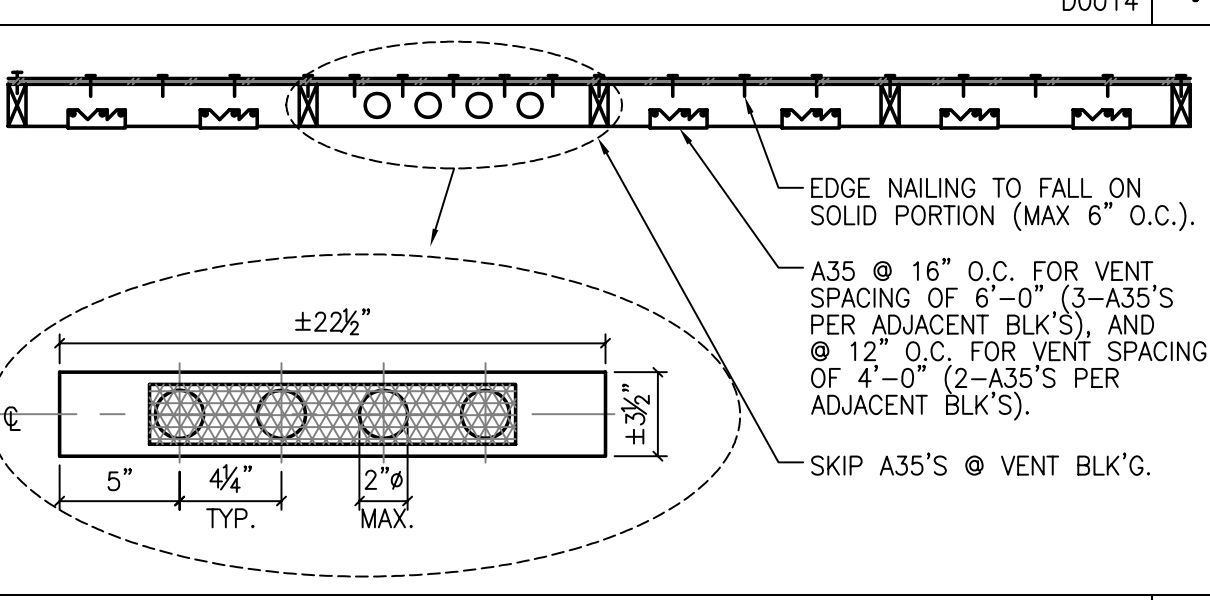
**MASONRY VENEER/CAVITY WALL** 8



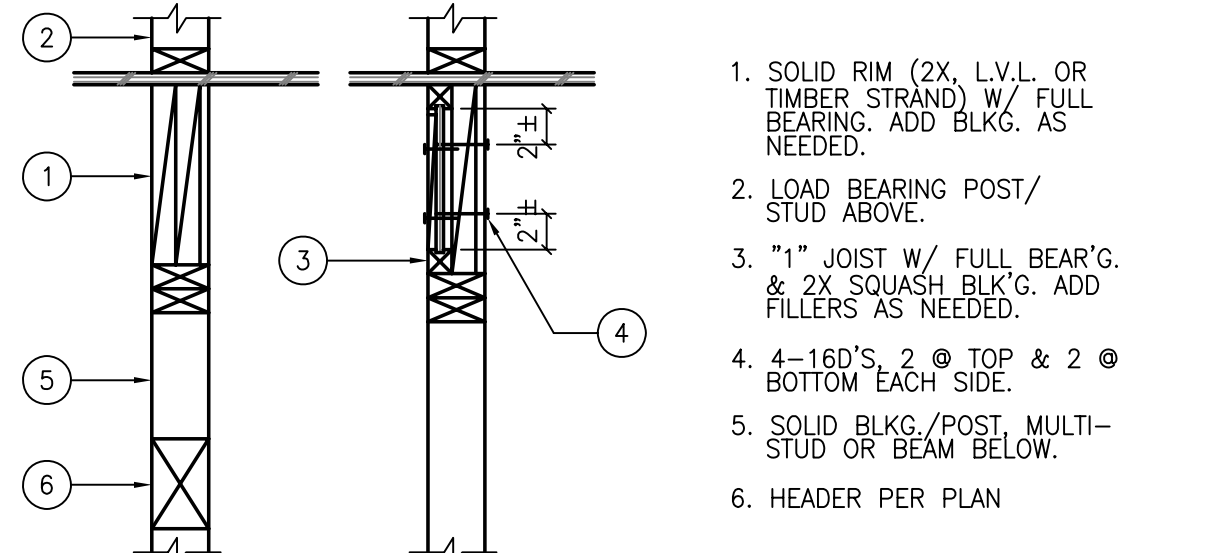
**TYPICAL FRAMING ELEVATION** 6



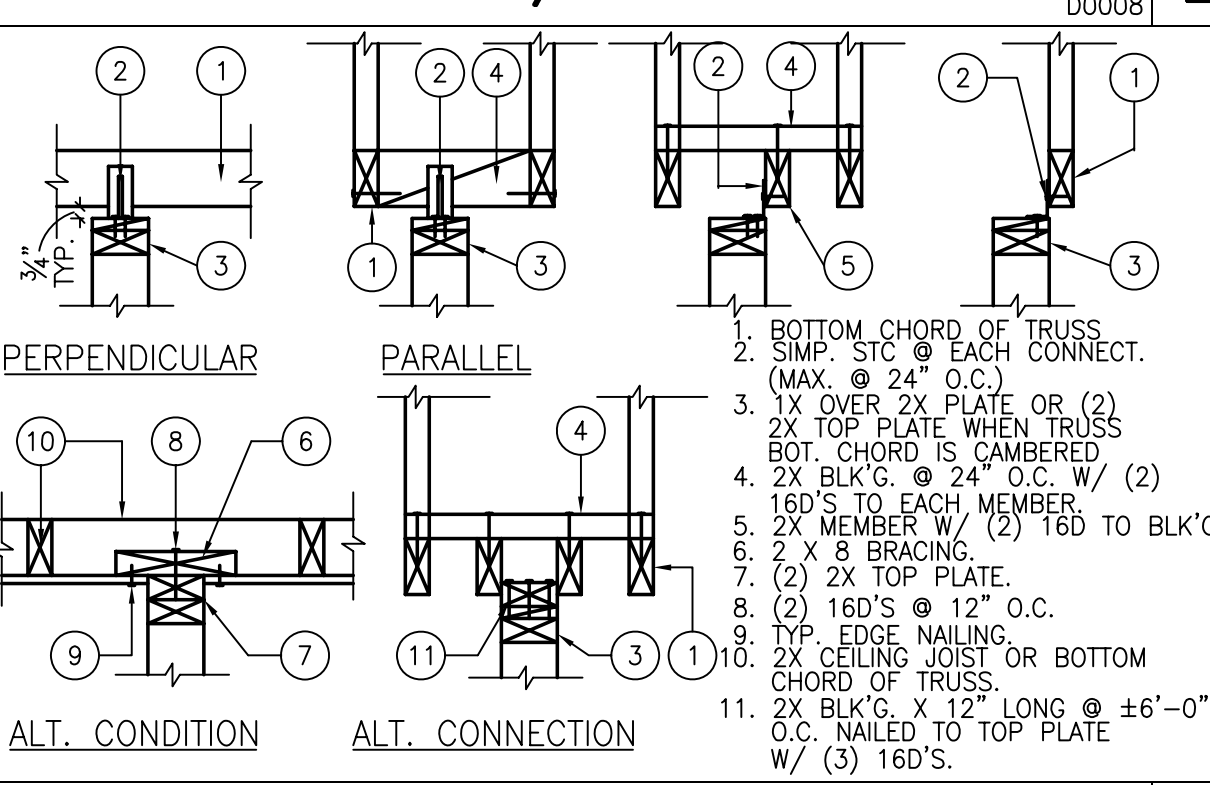
**SHEAR WALL/WALL INTERSECTION** 4



**TYPICAL VENT BLOCK** 1A



**BLOCKING AT POSTS/TRIMMERS** 2



**FRM'G. TO NON-BEARING WALLS** 3

800.700.3305

Q-CAD PAPER TO CAD